

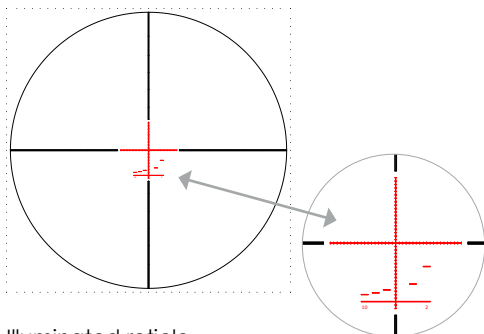
## Reticle User Manual

### **Diamond FFP** 30MM First Focal Plane



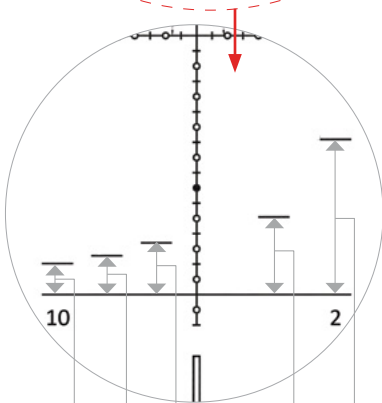
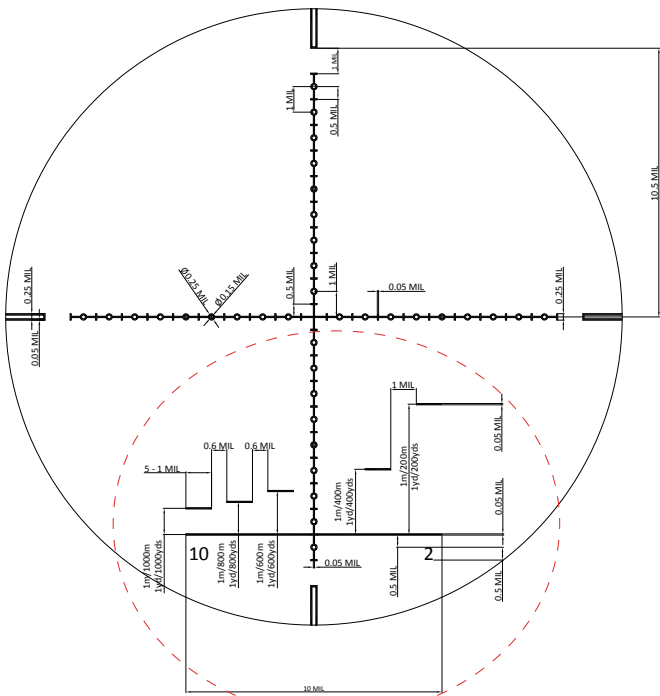
#### **First Focal Plane Technology:**

For fans and users of MIL related reticles. Image and reticle increase/decrease always in same proportion. Allows fast and easy drop compensations and range finding.



Illuminated reticle

# Subtension:



1m / 1000m  
1yd / 1000 yds

1m / 800m  
1yd / 800 yds

1m / 600m  
1yd / 600 yds

1m / 200m  
1yd / 200 yds

1m / 400m  
1yd / 400 yds